

Product Details

Gégecsöves Hajszáritó

TECHNIK



- For wall mounting
- Five heat/speed settings max. 1500 W
- LCD time and temperature display
- Integrated shaver socket 110 V and 220 V
- Auto shut-off system after 18 minutes
- Safety screws
- Integrated overheating protection
- Double insulated (Class II)
- 220 V, 50 Hz

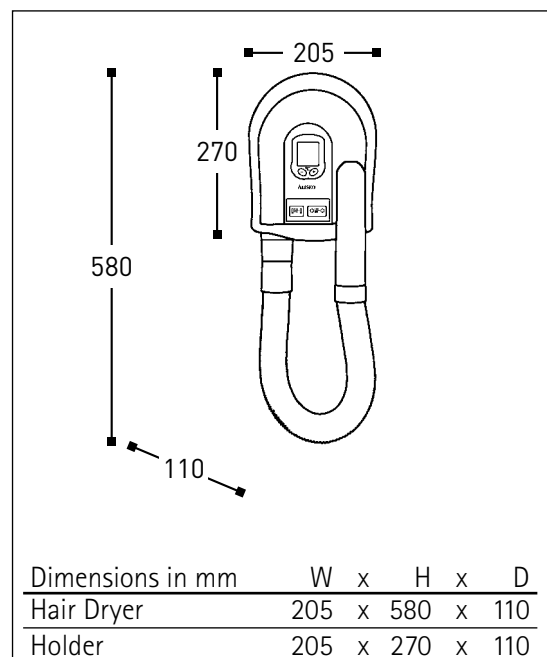


- ▶ Hard wire and soft wire application:

Code	Colour	Heat / Speed Settings
010421	white	max. 1500 W

Cleaning Instructions - Hair Dryer:

- Disconnect the hand dryer from the power supply.
- Wipe the case of the hairdryer with a damp (NOT wet) cloth.
- Polish with a dry cotton cloth.



ALISEO GmbH · Postfach 11 25 · D-77705 Wolfach

Tel. +49- (0) 78 34 - 83 43 0

Fax +49- (0) 78 34 - 83 43 30

E-mail: info@aliseo.de · Internet: www.aliseo.de

ALISEO GmbH
G E R M A N Y