

Product Details

Hajszárító

PROFESSIONAL



- For wall mounting
- With 2 different hair dryers available:
 - Three heat/speed settings 450/800/1200 W
 - Three heat/speed settings 500/950/1500 W
- Ergonomical safety release button
- Safety screws
- Integrated overheating and circuit protection
- Double insulated (Class II)
- 220-250 V or 110 V, 50/60 Hz



- ▶ Hard wire application:

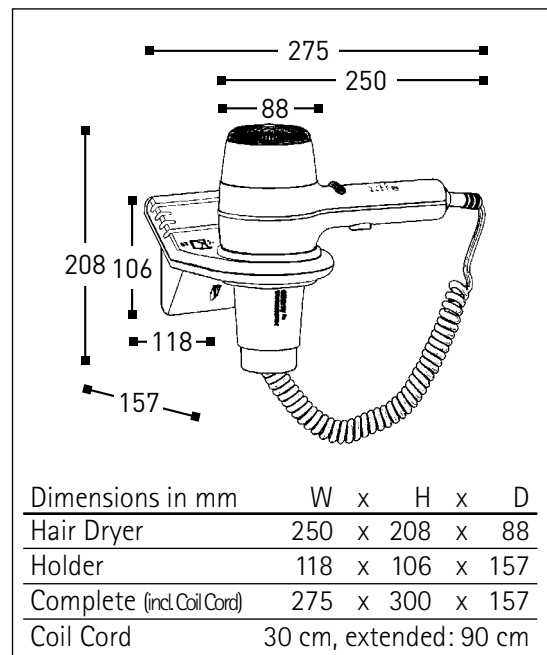
Code	Colour	Heat / Speed Settings
010008	white/grey	450/800/1200 W
010280	white/grey	500/950/1500 W

- ▶ With additional cord and plug for plug-in application:

Code	Colour	Heat / Speed Settings
010025	white/grey	450/800/1200 W
010281	white/grey	500/950/1500 W

Cleaning Instructions - Hair Dryer:

- Disconnect the hand dryer from the power supply.
- Wipe the case of the hairdryer with a damp (NOT wet) cloth.
- Polish with a dry cotton cloth.



ALISEO GmbH · Postfach 11 25 · D-77705 Wolfach

Tel. +49- (0) 78 34 - 83 43 0

Fax +49- (0) 78 34 - 83 43 30

E-mail: info@aliseo.de · Internet: www.aliseo.de

ALISEO GmbH
G E R M A N Y

Product Details

Hotel Hair Dryers

PROFESSIONAL IONIC 1800



- With ionic technology
- For wall mounting
- Three heat/speed settings 300/1100/1800 W
- Ergonomical safety release button
- Safety screws
- Integrated overheating and circuit protection
- Double insulated (Class II)
- 220-250 V or 110 V, 50/60 Hz



- ▶ Hard wire application:

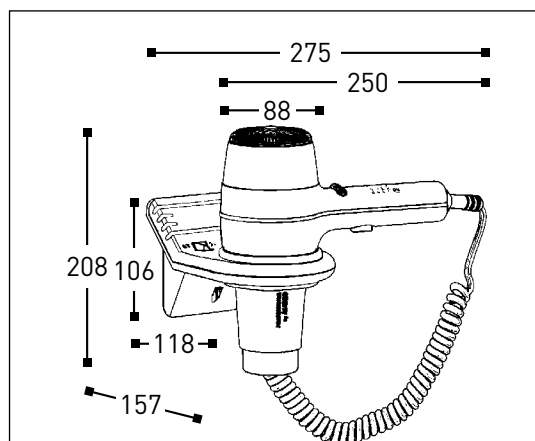
Code	Colour	Heat / Speed Settings
010350	white/grey	300/1100/1800 W

- ▶ With additional cord and plug for plug-in application:

Code	Colour	Heat / Speed Settings
010355	white/grey	300/1100/1800 W

Cleaning Instructions - Hair Dryer:

- Disconnect the hand dryer from the power supply.
- Wipe the case of the hairdryer with a damp (NOT wet) cloth.
- Polish with a dry cotton cloth.



Dimensions in mm	W	x	H	x	D
Hair Dryer	250	x	208	x	88
Holder	118	x	106	x	157
Complete (incl. Coiled Cord)	275	x	300	x	157
Coil Cord	30 cm, extended: 90 cm				