

Product Details

Hajszárító

PHOENIX – E



- Wall mounted ring
- With 2 different hair dryers available:
 - One heat/speed setting 1200 W
 - Two heat/speed settings 600/1200 W
- Ergonomical safety release button
- Safety screws
- Integrated overheating protection
- Double insulated (Class II)
- 220-250 V or 110 V, 50/60 Hz

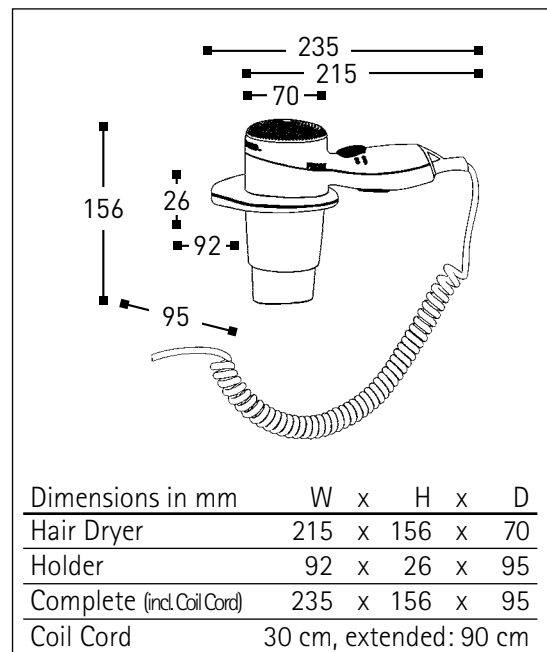


- ▶ With plug, for plug-in application:

Code	Colour	Heat / Speed Settings
010206	white/grey	1200 W
010207	white/grey	600/1200 W
010209	silver/black	1200 W
010210	silver/black	600/1200 W
010321	chrome/black	600/1200 W

Cleaning Instructions - Hair Dryer:

- Disconnect the hand dryer from the power supply.
- Wipe the case of the hairdryer with a damp (NOT wet) cloth.
- Polish with a dry cotton cloth.



ALISEO GmbH · Postfach 11 25 · D-77705 Wolfach

Tel. +49- (0) 78 34 - 83 43 0

Fax +49- (0) 78 34 - 83 43 30

E-mail: info@aliseo.de · Internet: www.aliseo.de

ALISEO GmbH
G E R M A N Y

Product Details

Hotel Hair Dryers

PHOENIX – B

- For wall mounting
- With 2 different hair dryers available:
 - One heat/speed setting 1200 W
 - Two heat/speed settings 600/1200 W
- Ergonomical safety release button
- Safety screws
- Integrated overheating and circuit protection
- Double insulated (Class II)
- 220-250 V or 110 V, 50/60 Hz



▶ Hard wire application:

Code	Colour	Heat / Speed Settings
010212	white/grey	1200 W
010213	white/grey	600/1200 W
010214	silver/black	1200 W
010215	silver/black	600/1200 W
010306	chrome/black	600/1200 W

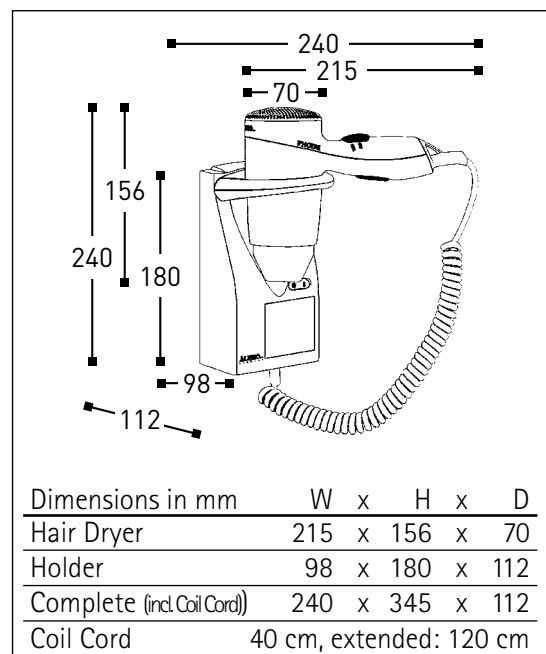
▶ With additional cord and plug for plug-in application:

Code	Colour	Heat / Speed Settings
010216	white/grey	1200 W
010217	white/grey	600/1200 W
010218	silver/black	1200 W
010219	silver/black	600/1200 W
010323	chrome/black	600/1200 W

▶ Also available with 750/1500 W

Cleaning Instructions - Hair Dryer:

- Disconnect the hand dryer from the power supply.
- Wipe the case of the hairdryer with a damp (NOT wet) cloth.
- Polish with a dry cotton cloth.



Product Details

Hotel Hair Dryers

PHOENIX – NL

- For wall mounting
- Integrated security night light, 1,5 W
- With 2 different hair dryers available:
 - One heat/speed setting 1200 W
 - Two heat/speed settings 600/1200 W
- Ergonomical safety release button
- Safety screws
- Integrated overheating and circuit protection
- Double insulated (Class II)
- 220-250 V or 110 V, 50/60 Hz



▶ Hard wire application:

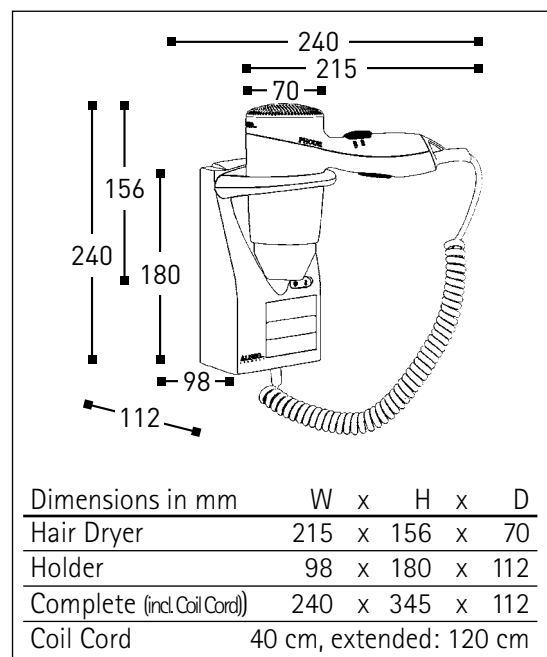
Code	Colour	Heat / Speed Settings
010294	white/grey	1200 W
010295	white/grey	600/1200 W
010296	silver/black	1200 W
010297	silver/black	600/1200 W
010318	chrome/black	600/1200 W

▶ With additional cord and plug for plug-in application:

Code	Colour	Heat / Speed Settings
010300	white/grey	1200 W
010301	white/grey	600/1200 W
010302	silver/black	1200 W
010303	silver/black	600/1200 W
010324	chrome/black	600/1200 W

Cleaning Instructions - Hair Dryer:

- Disconnect the hand dryer from the power supply.
- Wipe the case of the hairdryer with a damp (NOT wet) cloth.
- Polish with a dry cotton cloth.



Product Details

Hotel Hair Dryers

PHOENIX – S



- For wall mounting
- Integrated schuko socket (220-250 V / 16 A / 3600 W)
- With 2 different hair dryers available:
 - One heat/speed setting 1200 W
 - Two heat/speed settings 600/1200 W
- Ergonomical safety release button
- Safety screws
- Integrated overheating and circuit protection
- Double insulated (Class II)
- 220-250 V or 110 V, 50/60 Hz



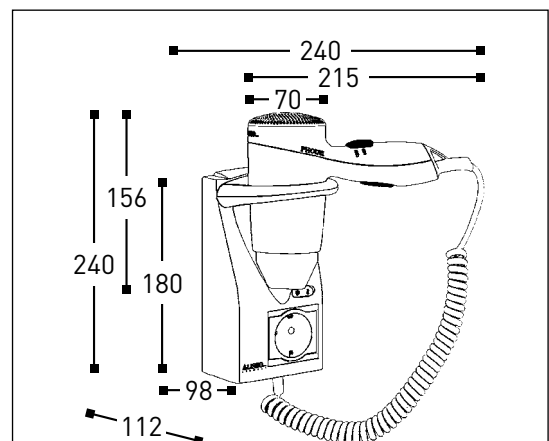
► Hard wire application:

Code	Colour	Heat / Speed Settings
010220	white/grey	1200 W
010221	white/grey	600/1200 W
010222	silver/black	1200 W
010223	silver/black	600/1200 W
010307	chrome/black	600/1200 W

► Also available with 750/1500 W

Cleaning Instructions - Hair Dryer:

- Disconnect the hand dryer from the power supply.
- Wipe the case of the hairdryer with a damp (NOT wet) cloth.
- Polish with a dry cotton cloth.



Dimensions in mm	W	x	H	x	D
Hair Dryer	215	x	156	x	70
Holder	98	x	180	x	112
Complete (incl. Coil Cord)	240	x	345	x	112
Coil Cord	40 cm, extended: 120 cm				

Product Details

Hotel Hair Dryers

PHOENIX – R

- For wall mounting
- Integrated shaver socket with isolating transformer, interchangeable 110/220 V, max. 20 VA
- With 2 different hair dryers available:
 - One heat/speed setting 1200 W
 - Two heat/speed settings 600/1200 W
- Ergonomical safety release button
- Safety screws
- Integrated overheating and circuit protection
- Double insulated (Class II)
- 220–250 V or 110 V, 50/60 Hz



- ▶ Hard wire application:

Code	Colour	Heat / Speed Settings
010224	white/grey	1200 W
010225	white/grey	600/1200 W
010226	silver/black	1200 W
010227	silver/black	600/1200 W
010308	chrome/black	600/1200 W

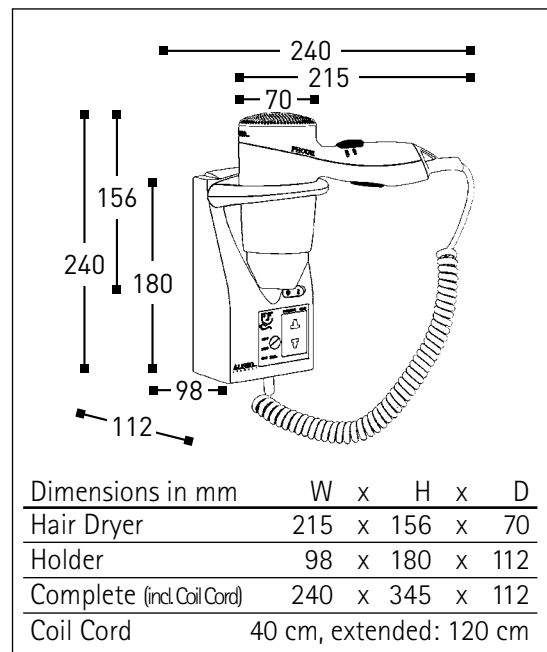
- ▶ With additional cord and plug for plug-in application:

Code	Colour	Heat / Speed Settings
010228	white/grey	1200 W
010229	white/grey	600/1200 W
010230	silver/black	1200 W
010231	silver/black	600/1200 W
010325	chrome/black	600/1200 W

- ▶ Also available with 750/1500 W

Cleaning Instructions - Hair Dryer:

- Disconnect the hand dryer from the power supply.
- Wipe the case of the hairdryer with a damp (NOT wet) cloth.
- Polish with a dry cotton cloth.



Product Details

Hotel Hair Dryers

PHOENIX – M



- For drawer mounting
- Two heat/speed setting 600/1200 W
- Ergonomical safety release button
- Safety screws
- Integrated overheating and circuit protection
- Double insulated (Class II)
- 220-250 V or 110 V, 50 Hz

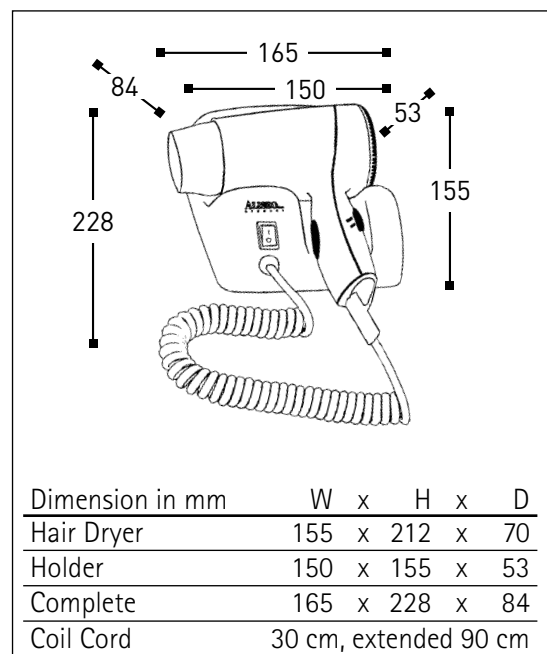


- ▶ Hard wire application:

Code	Colour	Heat / Speed Settings
010276	white/grey	600/1200 W

Cleaning Instructions - Hair Dryer:

- Disconnect the hand dryer from the power supply.
- Wipe the case of the hairdryer with a damp (NOT wet) cloth.
- Polish with a dry cotton cloth.



ALISEO GmbH · Postfach 11 25 · D-77705 Wolfach

Tel. +49- (0) 78 34 - 83 43 0

Fax +49- (0) 78 34 - 83 43 30

E-mail: info@aliseo.de · Internet: www.aliseo.de

ALISEO GmbH
G E R M A N Y