

Product Details

Hajszárító

Aliseo KERAMIC



- With ceramic technology
- Three heat/speed settings, Cool-Low-High and master off position
- Additional cold shot button
- Ergonomically safety release button
- Wall holder with LED-lighted interrupter switch
- Safety screws
- Integrated overheating protection
- Double insulated (Class II)
- 220-250 V, 50/60 Hz



▶ Hard wire application:

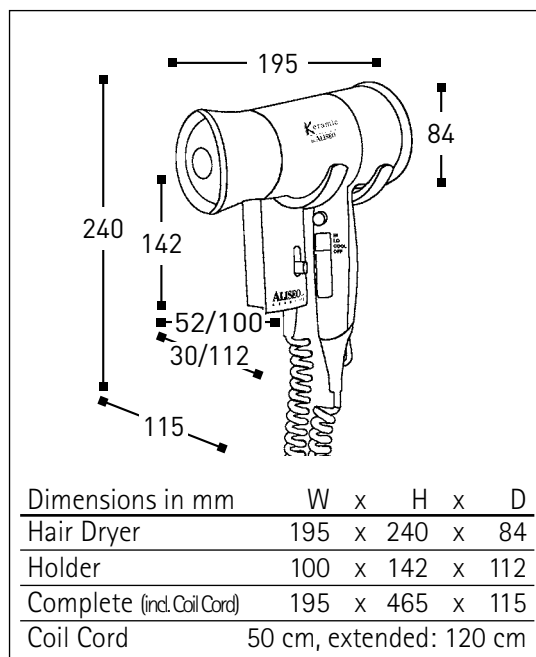
Code	Colour	Heat / Speed Settings
010384	silver/black	Cool/450/900 W

▶ With additional cord and plug for plug-in application:

Code	Colour	Heat / Speed Settings
010433	silver/black	Cool/450/900 W

Cleaning Instructions - Hair Dryer:

- Disconnect the hand dryer from the power supply.
- Wipe the case of the hairdryer with a damp (NOT wet) cloth.
- Polish with a dry cotton cloth.



ALISEO GmbH · Postfach 11 25 · D-77705 Wolfach

Tel. +49- (0) 78 34 - 83 43 0

Fax +49- (0) 78 34 - 83 43 30

E-mail: info@aliseo.de · Internet: www.aliseo.de

ALISEO GmbH
G E R M A N Y